

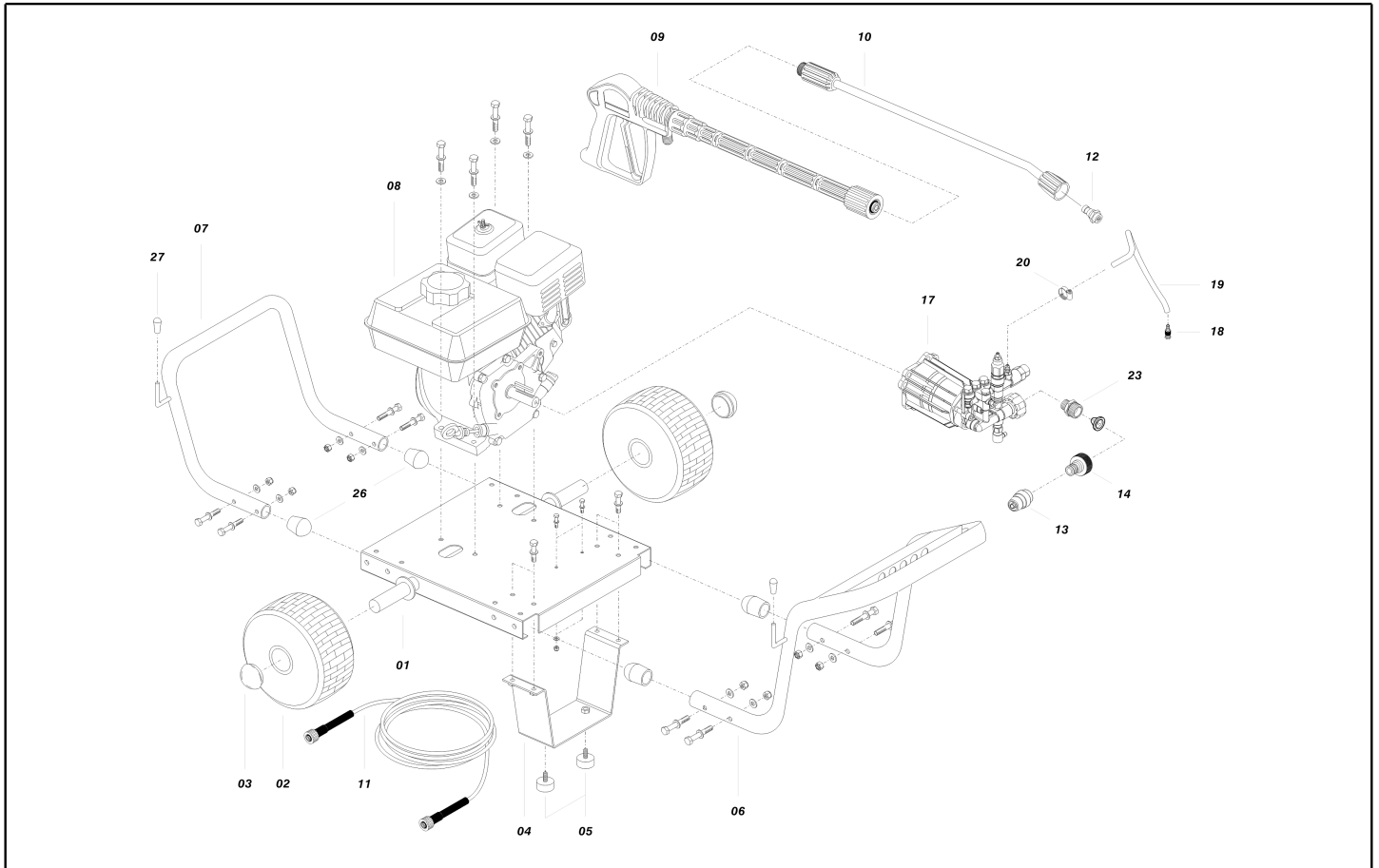


IPC

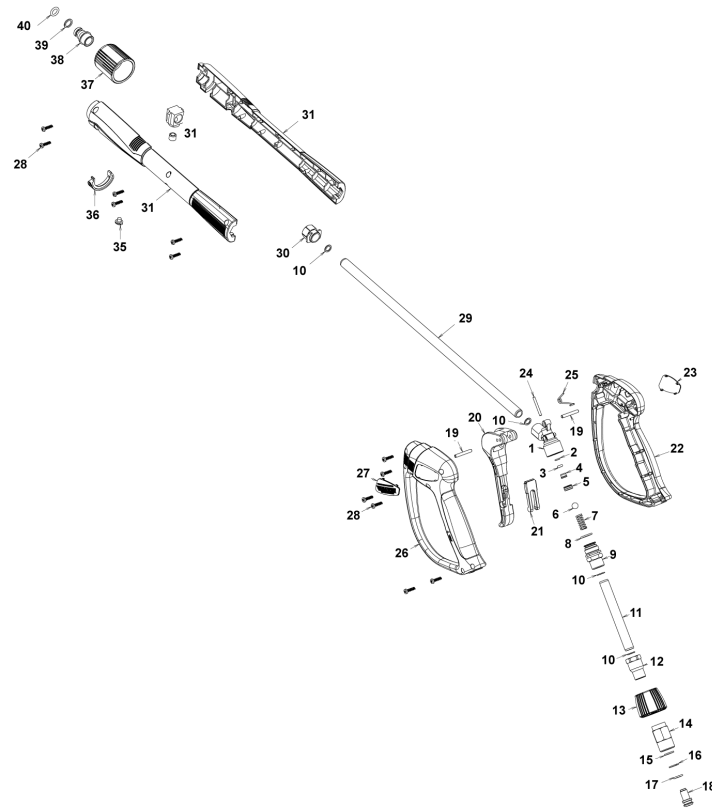
Spare parts list

Ref: IDAF41150

Model: H.P. CLEANER BENZ-C H1809A P IPC



Ref. K	Part n.	Part n. 2	Description	Quantity	Validity		Price
					From	To	
0001	LAFN40180		CHASSIS BENZ HP 6.5	1,00			--
0002	RTRT40007		WHEEL D. 11.4"X 4/ 4 -D.25 PN.	2,00			--
0003	VTVR01268		HUB CAP D. 25	2,00			--
0004	LAFN40182		FOOT BENZ HP 6.5	1,00			--
0005	MPVR60726		VIBRATION DAMP. TCC48X25- 1M8X16 60SH GMM	2,00			--
0006	LAFN40189		HANDLE BENZ HP 6.5	1,00			--
0007	LAFN40184		BUMPER BENZ HP 6.5	1,00			--
0008	MOSC40001		ENGINE MOTOR HONDA GX200UT1 QX-4 OH	1,00			--
0009	IPPR40025		GRIP G 6000+P.330 +M22 SW.M 2V	1,00			--
0010	LCPR40013		EXTENSION P 70 - HYPERJET 1/4F	1,00			--
0011	TBAP40256		H.P. HOSE 5/16 250B 10MT C/2 IRV ZC	1,00			--
0012	UGLN49988		NOZZLE LECH 1/4 25025	1,00			--
0013	RCVR29600		SOCKET PTC 3/4 F	1,00			--
0014	RCVR29602		CONNECTOR D. 1/2"-5/8" PTC	1,00			--
0017	PPAP40172		PUMP RMV 2.0 G23D 3/4"+EZ+VT A	1,00			--
0018	FTDT04648		FILTER PG. D.6 PLS	1,00			--
0019	TBBP00051		DETERGENT HOSE D. 6-12	1,50			--
0020	FSVR00427		CLAMP D. 12 CLIC 66-110	1,00			--
0023	RCDS88293		NIPPLE 3/4 - 3/8 CB D. 7.5 OT	1,00			--
0026	MPVR01697		PROD D.30 1.02.109	4,00			--
0027	MPVR32471		PROD D. 8 BK	2,00			--



Ref. K	Part n.	Part n. 2	Description	Quantity	Validity		Price
					From	To	
0001	PVVR40381		GUN BODY G 5100 G1/4F	1,00			--
0002	S	GUVR40074	ANTI-EXTR.RING D. 3 X 7.4X1.3	1,00			--
0003	S	GUGO21835	O-RING D. 2.84 X 2.62 VIT. 80SH	1,00			--
0004		PVVR40382	PISTON GUIDE G 5100	1,00			--
0005	S	PVVR40563	BALL SEAT AL36 G6000 + OR	1,00			--
0006	S	SFVR40004	BALL D. 5/16" ALL.GR16	1,00			--
0007	S	MLML40047	SPRING D. 9.4 x23.5x1.6 G6000	1,00			--
0008		GUGO12322	O-RING D. 14 X 1.78 NBR 90SH	1,00			--
0009		PVVR40383	CONNECTOR COLL.G5100 1/4F	1,00			--
0010		VTRS40017	WASHER D. 8.2X11,4X1.00	4,00			--
0011		PVVR40384	TUBE G 1/4" L.105	1,00			--
0012		RCIN40022	CONNECTOR SWIV G5100 1/4F	1,00			--
0013		MPVR40967	RING NUT G 6000 SW. GR.	1,00			--
0014		RCIN40021	JOINT SWIV 5100 M22	1,00			--
0015	S	GUVR40075	ANTI-EXTR.RING D. 10 X14X1.5	1,00			--
0016	S	GUVR40076	ANTI-EXTR.RING D. 11.2X14X1.2	1,00			--
0017	S	GUGO15295	O-RING D. 10.82 X 1.78 VIT 75SH	1,00			--
0018		PVVR40386	SCREW SW. G 5100	1,00			--
0019		VTVR40047	PLUG D. 4X29	2,00			--
0020		MPVR40820	TRIGGER G 6000-SW	1,00			--
0021		MPVR40821	SAFETY-DEVICE G 6000-SW	1,00			--
0022		MPVR40822	SHELL G 6000-SW DX	1,00			--
0023		MPVR40968	PLATE G 6000/2 GR.DX	1,00			--
0024	S	PVVR40564	SMALL PISTON G 6000 AL36 SP.	1,00			--
0025		MLML40029	SPRING G 5100	1,00			--
0026		MPVR40824	SHELL G 6000-SW SX	1,00			--
0027		MPVR40825	PLATE G 6000 GR.SX	1,00			--
0028		VTVT40043	SCREW AF 4X 14 HILO ZN.N	12,00			--
0029		LCPR40181	TUBE 1/4 L=416 ZC. 0°	1,00			--
0030		MPVR40493	CONNECTOR G 5100-SW	1,00			--
0031		MPVR40494	PROTECTION P 420 C/AN.	1,00			--
0035		MPVR40198	CAP G 5000	1,00			--
0036		MPVR40495	CAP G 5100 REM.	1,00			--
0037		PVVR40119	CONNECTION M22X1,5 IRV G5000	1,00			--
0038		RCIN40048	GUDGEON G 1/4 F IRV G6000/2	1,00			--
0039		GUVR40034	ANTI-EXTR.RING D. 10 X14	1,00			--
0040		GUGO63555	O-RING D. 9.3 X 2,4 VIT 75SH	1,00			--



Ref. Part n.	Part n. 2	Description	Reference	Price
KTRI40243		KIT P 26- 26 SWIVEL G 5100	0015 0016 0017	--
KTRI40513		KIT P 26- 36 G 6000/II	0002 0003 0005 0006 0007 0024	--