

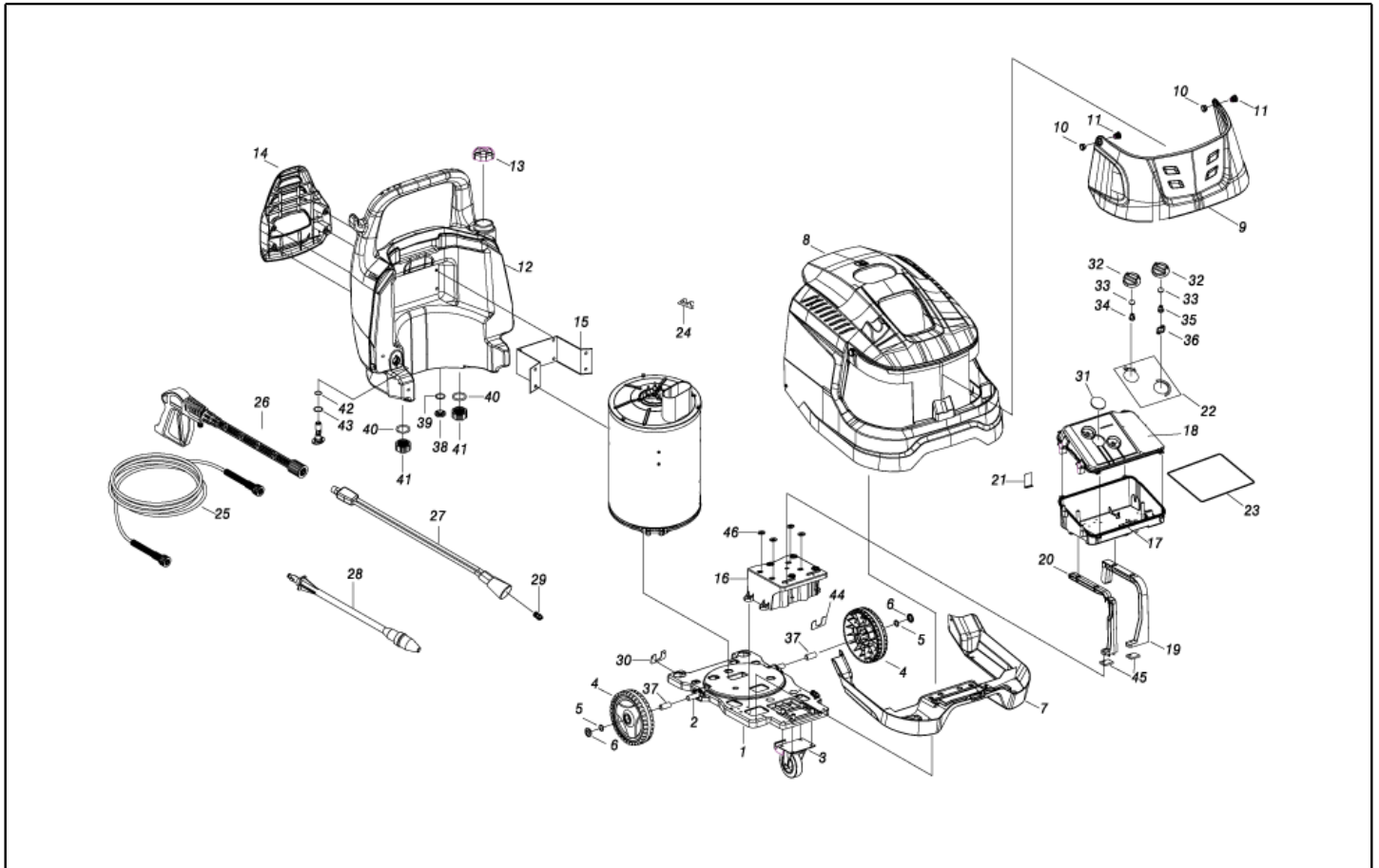


**IPC**

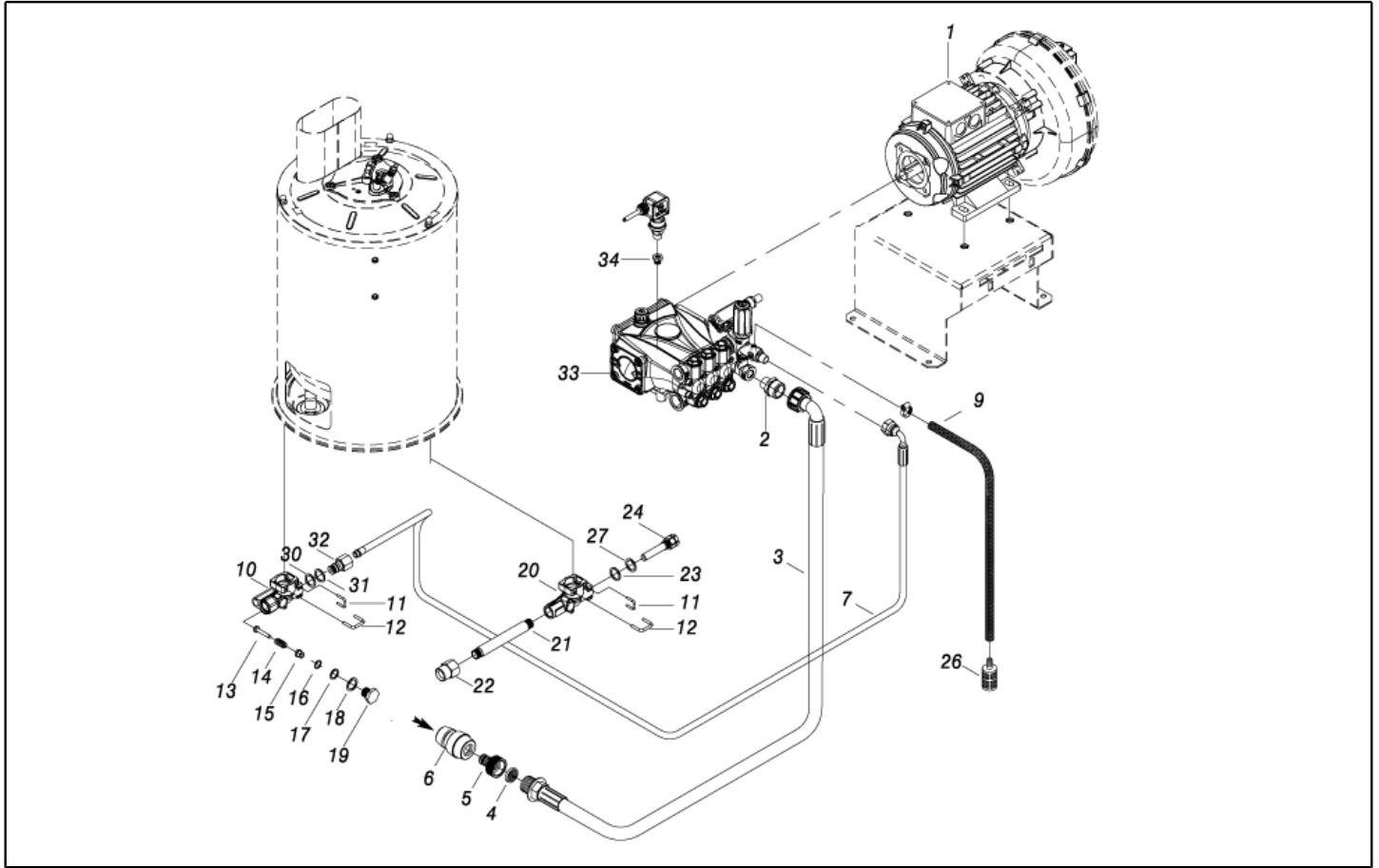
**Spare parts list**

Ref: IDAC41621

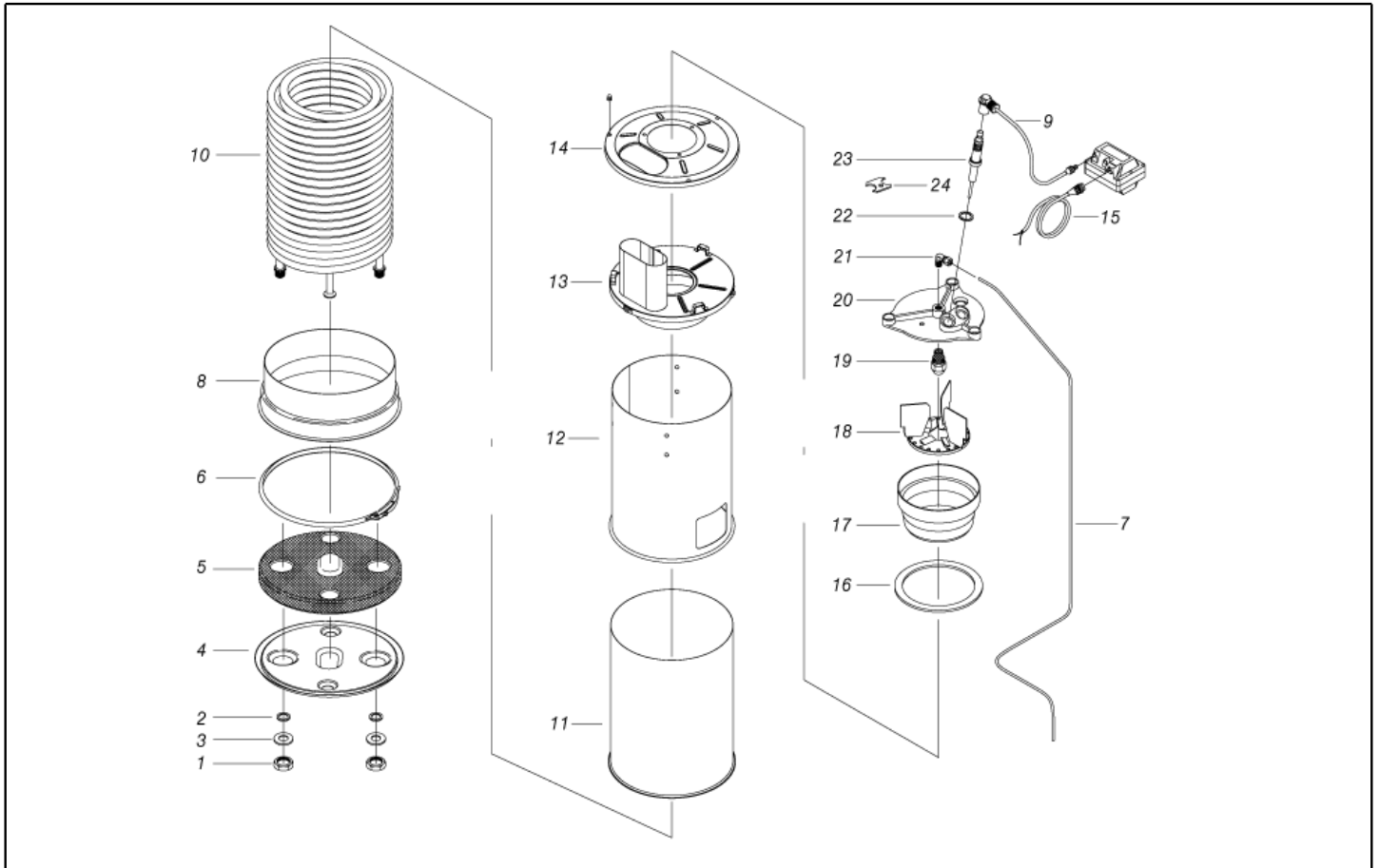
Model: H.P. CLEANER PW-H21 PD1509P M230/50 IP



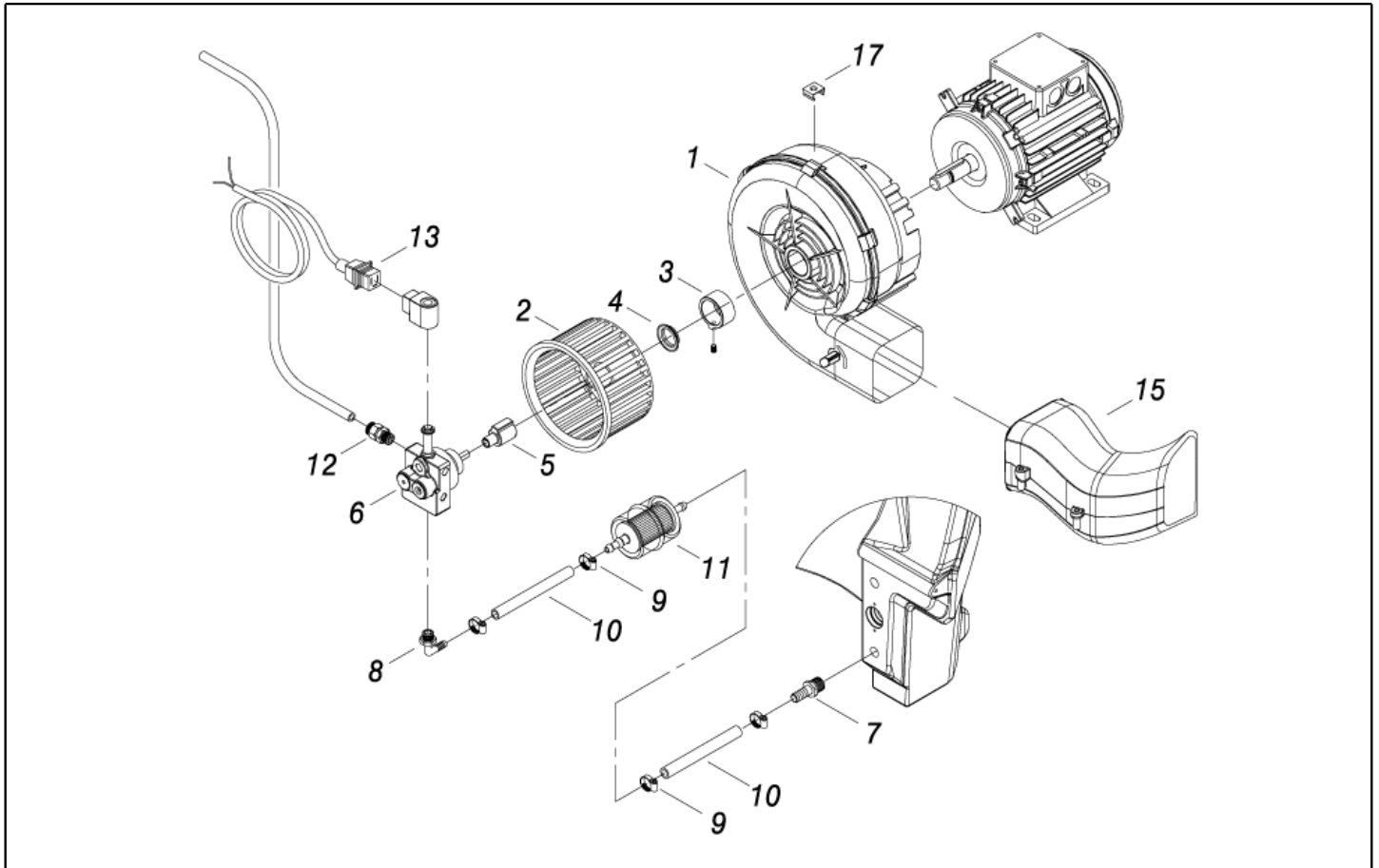
Ref. K	Part n.	Part n. 2	Description	Quantity	Validity		Price
					From	To	
0001	MFVR40122		TROLLEY PW-H21/2W AL.	1,00			--
0002	LAFN41380		TROLLEY PW-H101/4W BK.	1,00			--
0003	RTRT47975		TURNING WHEEL D.100 P MZ.PLS.	1,00			--
0004	RTRT40068		WHEEL D.250-D.25X 65 IPC/2 GRN	2,00			--
0005	VTRS09813		WASHER D.25	2,00			--
0006	MPVR40734		HUB CAP D.50 G-48/IPC GR.368C	2,00			--
0007	MPVR41298		BLACK COVER PW-H21 INF.PP	1,00			--
0008	MPVR41295		GREEN COVER PW-H21 SUP.PP GR.368C	1,00			--
0009	MPVR41297		DOOR PW-H21 PPL BK	1,00			--
0010	MPVR41229		PIN PW-H61 EST.PP BK	2,00			--
0011	MPVR41230		PIN PW-H61 INT.PP BK	2,00			--
0012	MPVR41304		TANK PW-H21 PP BK.	1,00			--
0013	MPVR45426		TANK CAP P176 PEHD	1,00			--
0014	MPVR40701		HOSE SUPPORT PW-H35 PP BK.	1,00			--
0015	LAFN41394		BRACKET PW-H21 MPU ZC	1,00	01/06/2024		--
0016	LAFN41388		MOTOR SUPPORT PW-H21 5.5HP ZC.	1,00			--
0017	MPVR41299		CONTROL BOX PW-H21 ABS BK.	1,00			--
0018	MPVR41300		BOX COVER PW-H21 ABS BK.	1,00			--
0019	MPVR41301		SUPPORT PW-H21 DX PP BK.	1,00			--
0020	MPVR41302		SUPPORT PW-H21 SX PP BK.	1,00			--
0022	ETET41592		LABEL PW-H21 Pls QR IPN PLC	1,00			--
0023	GUGO33675		JOINT MOUSSE D. 4	1,10			--
0024	MEVR40326		CLIP D. 6.00 DB. BK	1,00			--
0025	TBAP40311		H.P. HOSE 1/ 4 250B 15MT 2 IRV 150°	1,00			--
0026	IPPR40031		GRIP G 4000+P.330 +M22 SW.M V	1,00			--
0027	LCPR40013		EXTENSION P 70 - HYPERJET 1/4F	1,00			--
0028	LCPR40203		LANCE TURBO TPR-255+SF230 030	1,00			--
0029	UGLN49985		NOZZLE LECH 1/4 1503	1,00			--
0030	LAFN40707		BRACKET PW-H28 ZC	1,00			--
0031	LAFN41368		CAP COVER H35 ZC.	1,00			--
0032	MPVR49057		BLACK KNOB P176-M.RACE PA6	2,00			--
0033	GUGO25527		O-RING D. 14 X 3 NBR 70SH	2,00			--
0034	MPVR23482		TAIL PIECE TEC. TUV	1,00			--
0035	MPVR23484		TAIL PIECE THERM.KSM TUV	1,00			--
0036	MPVR41903		THICKNESS TERM.IM.PA66	1,00			--
0037	MPVR41313		SPACER D. 26,2-32 L=57	2,00			--
0038	PVVR11806		DISCHARGE CAP FLL	1,00			--
0039	GUGO11489		GASKET D.22X1,5	1,00			--
0040	GUGO40074		O-RING D. 37,47 X 5,34 NBR 70SH	2,00			--
0041	MPVR20187		RING NUT M 39 X 3	2,00			--
0042	GUGO01056		O-RING D. 18,72 X 2,62 NBR 70SH	1,00			--
0043	GUGO01197		O-RING D. 22,22 X 2,62 NBR 70SH	1,00			--
0044	MEVR40351		CLIP CAVO D.6-9 SP.2-7 ZINC	1,00			--
0045	MPVR41315		SPACER QE PW-H21 MEC90 PVC N.	2,00			--



Ref. K	Part n.	Part n. 2	Description	Quantity	Validity		Price
					From	To	
0001	MOMO40103		1PH MOTOR H21 HP 3 230-50 2P E-k	1,00			--
0002	RCDS88479		NIPPLE 3/4 - 3/8 CB D. 6.5 OT	1,00			--
0003	TBBP40181		L.P. HOSE L=750 3/4F 90° -3/4M 0°	1,00			--
0004	FTDT12702		FILTER PA	1,00			--
0005	RCVR29600		SOCKET PTC 3/4 F	1,00			--
0006	RCVR29602		CONNECTOR D. 1/2"-5/8" PTC	1,00			--
0007	TBAP40317		HOSE-FITTING 5/16 R1 L=650 3/8F90-3/8F	1,00			--
0009	TBBP00051		DETERGENT HOSE D. 6-12	1,50			--
0010	MFVR40099		CONNECTOR PW-H28 AL. INL. 2V.	1,00	01/01/2022		--
0011	LAFN37625		PLUG "U" T-STOP PRM INX	2,00			--
0012	LAFN87846		PLUG "U" P191 INX	2,00			--
0013	RCDS40215		SMALL PISTON V.SC. P191/200 OT.	1,00			--
0014	MLML40035		SPRING D. 8.8X21 X2.5 INX	1,00			--
0015	RCDS40263		BUSHING V.SC. P191/200 2V. OT.	1,00	15/07/2017		--
0016	VTRS40030		WASHER D. 5 X10 X0.2 INX A2	2,00	01/03/2024		--
0017	GUGO37529		O-RING D. 5.23 X 2.62 NBR 70SH	1,00			--
0018	GUGO25527		O-RING D. 14 X 3 NBR 70SH	1,00			--
0019	RCDS87757		VALVE TAP P191 OT.	1,00			--
0020	MFVR40100		CONNECTOR PW-H28 AL. OUT. 2V.	1,00			--
0021	RCDS40210		CONNECTOR L= 58 2X3/8M CN. ZC.	1,00			--
0022	RCIN03753		MALE COUPLING M22-3/8 M-FA	1,00			--
0023	GUGO27030		O-RING D. 6 X 3 VIT 70SH	1,00			--
0024	RCDS40211		SUMP PW-H28 D.15 OT.	1,00			--
0026	FTDT04648		FILTER PG. D.6 PLS	1,00			--
0027	VTRS40025		WASHER D. 6.6X11.75X2 OT.	1,00			--
0030	VTRS00548		WASHER D.17,5X23X1,5 (3/8)RM	1,00			--
0031	GUGO28927		O-RING D. 9.13 X 2.62 NBR 70SH	1,00			--
0032	RCDS40213		CONNECTOR G3/8 F MV200 ZC	1,00			--
0033	PPAP40200		PUMP JRS 8.15 DX N	1,00			--
0034	PVVR40413		CAP AR HRM + FORO 1/8G	1,00			--

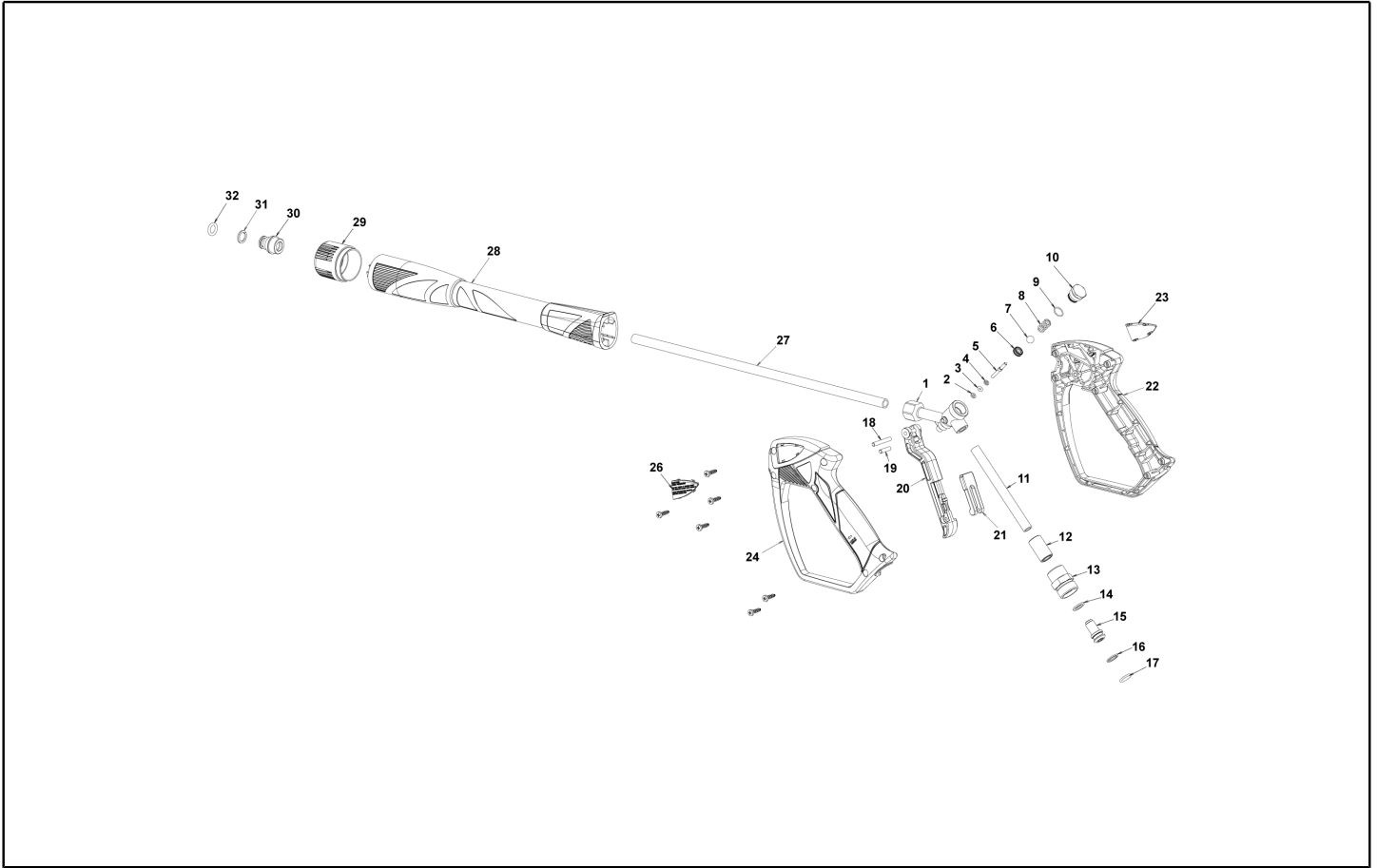


Ref. K	Part n.	Part n. 2	Description	Quantity	Validity		Price
					From	To	
0001	RCDS40208		RING NUT M 27 X 1,5 ZC	2,00			--
0002	GUGO40059		O-RING D. 16 X 4 VIT 70SH	2,00			--
0003	GUVR21021		ANTI-EXTR.RING D. 21 X17 TEF.	2,00			--
0004	LAFN48448		BOILER BOTTOM KSM 2V. ZN	1,00			--
0005	ITTE48373		BOTTOM KSM C.TE	1,00			--
0006	LAFN20108		RING D.298 KSM	1,00			--
0007	TBBP00123		TUBE RILSAN D. 2- 4 NT.	0,52			--
0008	LAFN48368		BAND KSM 2V. INX	1,00			--
0009	MECV35334		CABLE A.T. 9.8-23KOHM/M L= 400P	2,00			--
0010	LAGR40479		DOUBLE COIL M27X1.5 H21 20MT. SP.2.35	1,00			--
0011	LAFN40579		INT. CYLINDER MPU-20 CP.INX	1,00			--
0012	LAFN41633		EXT. CYLINDER CALD. MPU-20/H21 CMPL INX	1,00			--
0013	LAFN40711		BOILER COVER SI MPU.150 INX	1,00			--
0014	LAFN40580		BOILER COVER SE MPU INX	1,00			--
0015	MECB34463		CABLE BT L=800 SP.2P FD	1,00			--
0016	GUVR25775		GASKET D. 105/88 X 3	1,00			--
0017	LAFN20055		NOSEPIECE KSM	1,00			--
0018	LAFN30294		BAFFLE KSM/AGN	1,00			--
0019	UGBR18630		BURNER NOZZLE 0.75 45 A	1,00			--
0020	MFVR88612		ELECTR.HOLDER KSM 1/8CN.	1,00			--
0021	RCVR40228		CONNECTOR L 1/8" M D. 4 +OR NBR N	1,00			--
0022	VTRS07941		WASHER D.11.3X15X1.5 RM	2,00			--
0023	MECA18232		ELECTRODE L=101.5 KSM	2,00			--
0024	LAFN20123		PLATE KSM INX	1,00			--

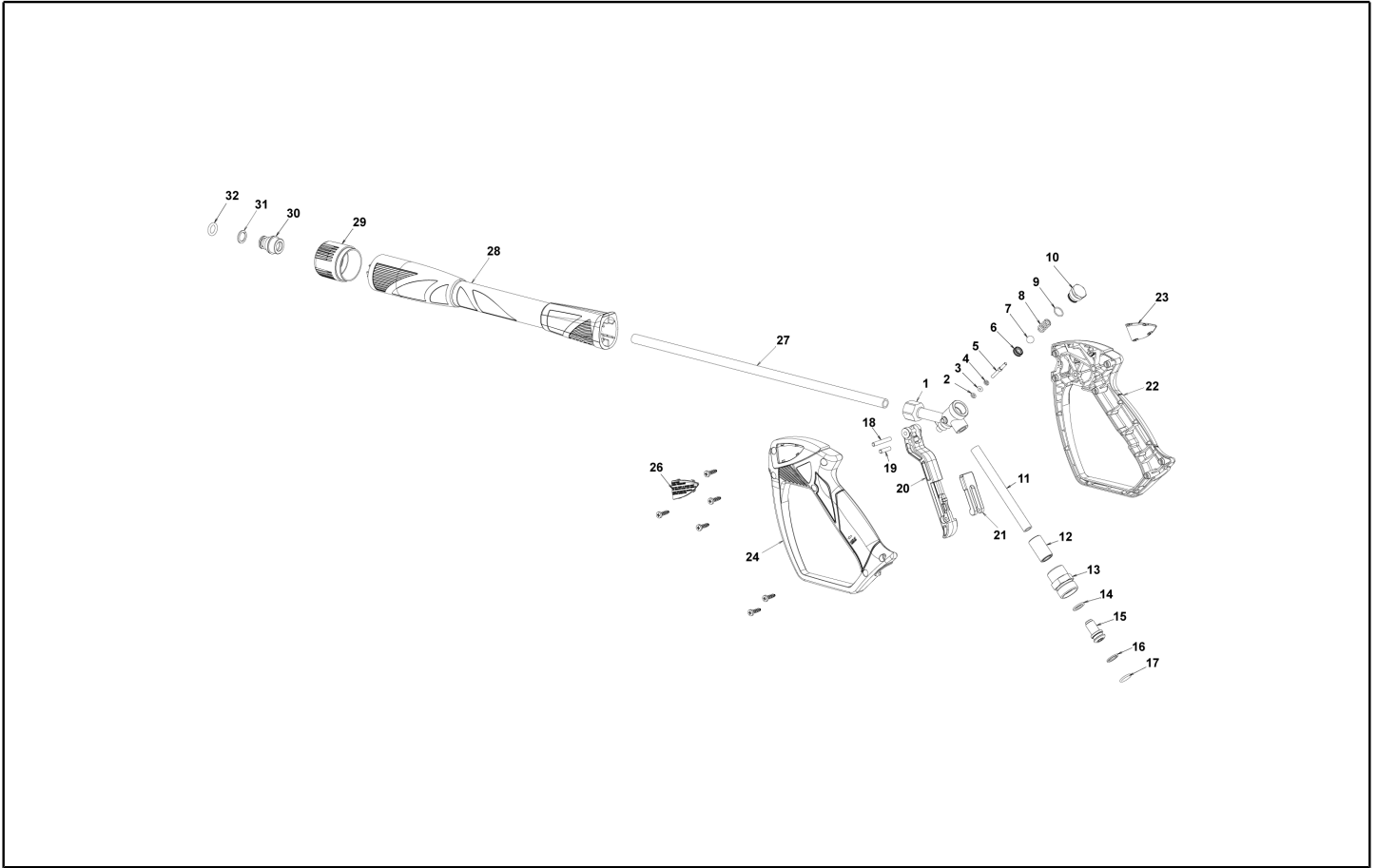


Ref. K	Part n.	Part n. 2	Description	Quantity	Validity		Price
					From	To	
0001	MPVR26987		SCROLL KSM CPL.	1,00			--
0002	VEVR20128		IMPELLER KSM D.140 29P. PA66	1,00			--
0003	RCDS20417		BUSHING KSM	1,00			--
0004	LAFN21890		BUSHING D. 25	1,00			--
0005	FGGT49223		JOINT KSM/P190 2V. PP	1,00			--
0006	PPGS40011		FUEL PUMP DNF BFA 01R3L1	1,00			--
0007	RCVR40113		HOSE FITTING 1/8 M D. 5- 7 NIK	1,00			--
0008	RCVR72873		HOSE FITTING "L" 1/4M - D.7 OT.NK	1,00			--
0009	FSVR11197		CLAMP D.12.9-13.6	2,00			--
0010	TBCO06945		L.P. HOSE D. 6-12 10BAR C.PRESS	0,40			--
0010	TBCO06945		L.P. HOSE D. 6-12 10BAR C.PRESS	0,40			--
0011	FTCO10912		FILTER FB 13/T NYL.	1,00			--
0012	RCVR40229		CONNECTOR DTT 1/8" M D. 4 +OR NBR N	1,00			--
0013	MECB41542		CABLE DLT L= 700	1,00			--
0015	MPVR41303		CONVEYOR PW-H21 EPDM	1,00			--
0017	VTVR20127		CLIP KSM	5,00			--
0017	VTVR20127		CLIP KSM	1,00			--



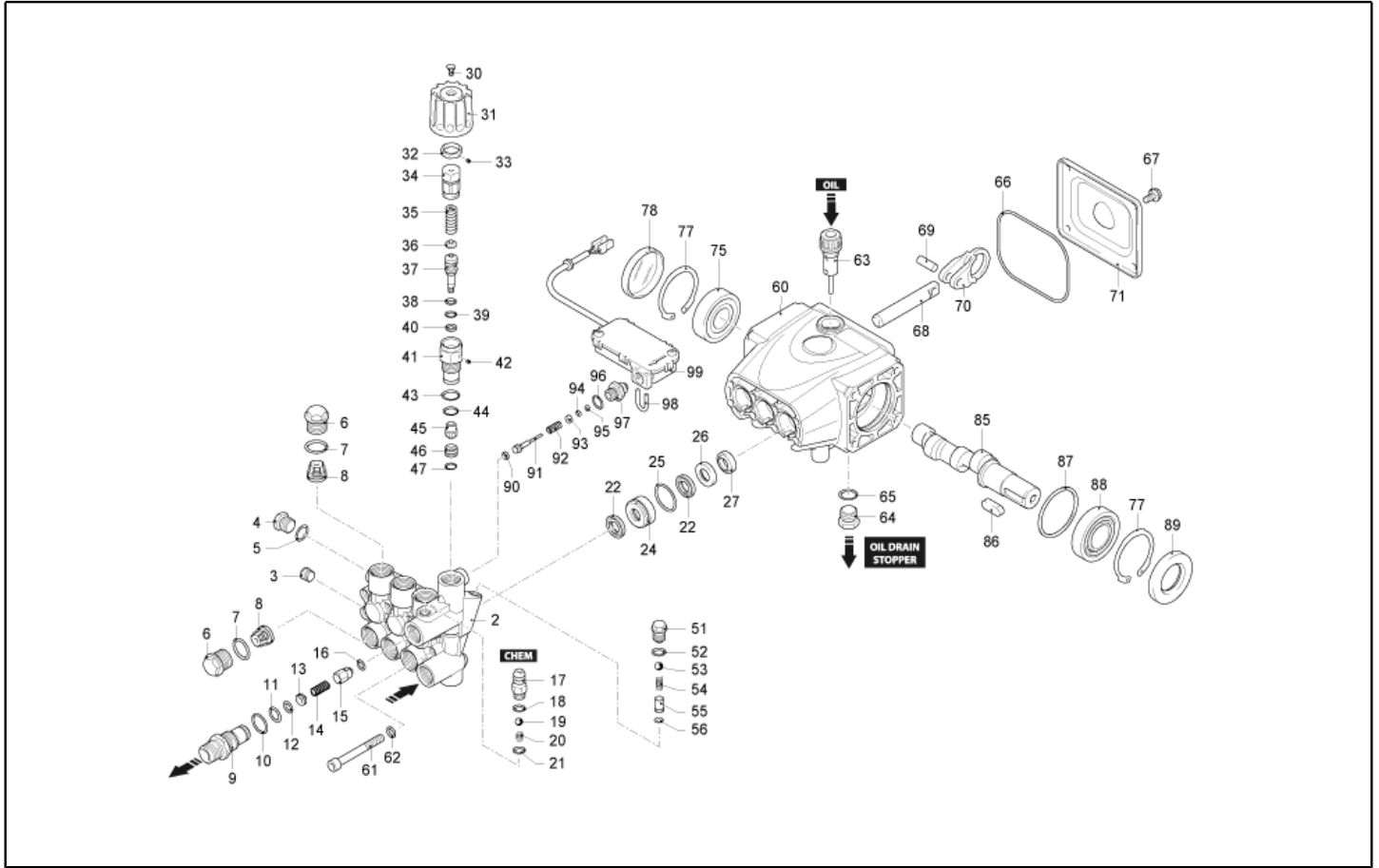


Ref. K	Part n.	Part n. 2	Description	Quantity	Validity		Price
					From	To	
0001	PVVR40641		GUN BODY G4000 G1/8F OT	1,00			--
0002	S	GUVR40142	ANTI-EXTR.RING D. 3.1X 6 X1 TB	1,00			--
0003	S	GUGO40128	O-RING D. 2.90 X 1.78 VIT 75SH	1,00			--
0004	S	VTRS40051	WASHER D. 3 X 5.7 X1,5 OT	1,00			--
0005	S	PVVR40642	SMALL PISTON G 4000	1,00			--
0006	S	PVVR40643	BALL SEAT G 4000 +OR	1,00			--
0007	S	SFVR40005	BALL D. 5/16" AISI 420C HRC56	1,00			--
0008	S	MLML40056	SPRING D. 8.4X15.9X1.2 INX	1,00			--
0009	S	GUGO10800	O-RING D. 10 X 1 NBR 70SH	1,00			--
0010		PVVR40644	CAP G 4000 OT	1,00			--
0011		PVVR40645	HOSE D. 10 L.108 ZC	1,00			--
0012		RCVR40244	CONNECTOR G 1/8F - M10X1F OT	1,00			--
0013		RCIN40063	CONNECTOR SWIV G4000 1/8F	1,00			--
0014	S	PVVR40646	SPACER D. 10-14 L=1.5 AF	1,00			--
0015		PVVR40386	SCREW SW. G 5100	1,00			--
0016	S	GUVR40076	ANTI-EXTR.RING D. 11.2X14X1.2	1,00			--
0017	S	GUGO15295	O-RING D. 10.82 X 1.78 VIT 75SH	1,00			--
0018		VTVR40047	PLUG D. 4X29	1,00			--
0019		VTVR41689	PLUG D. 4X16 INX	1,00			--
0020		MPVR41306	TRIGGER G4000 BK.	1,00			--
0021		MPVR40821	SAFETY-DEVICE G 6000-SW	1,00			--
0022		MPVR41307	HALF BEARING G4000 DX BK.	1,00			--
0023		MPVR41308	PLATE G4000-IPC	1,00			--
0024		MPVR41309	HALF BEARING G4000 SX BK.	1,00			--
0026		MPVR41310	PLATE G4000-SX	1,00			--
0027		LCPR40215	HOSE 1/8 L=358 ZC. 0° SP.1.5	1,00			--
0028		MPVR41311	PROTECTION G4000 INT. BK	1,00			--
0029		PVVR40647	CONNECTION M22X1.5 IRV G4000	1,00			--
0030		RCIN40064	GUDGEON G 1/8 F IRV G4000	1,00			--
0031		GUVR40034	ANTI-EXTR.RING D. 10 X14	1,00			--
0032		GUGO28927	O-RING D. 9.13 X 2.62 NBR 70SH	1,00			--

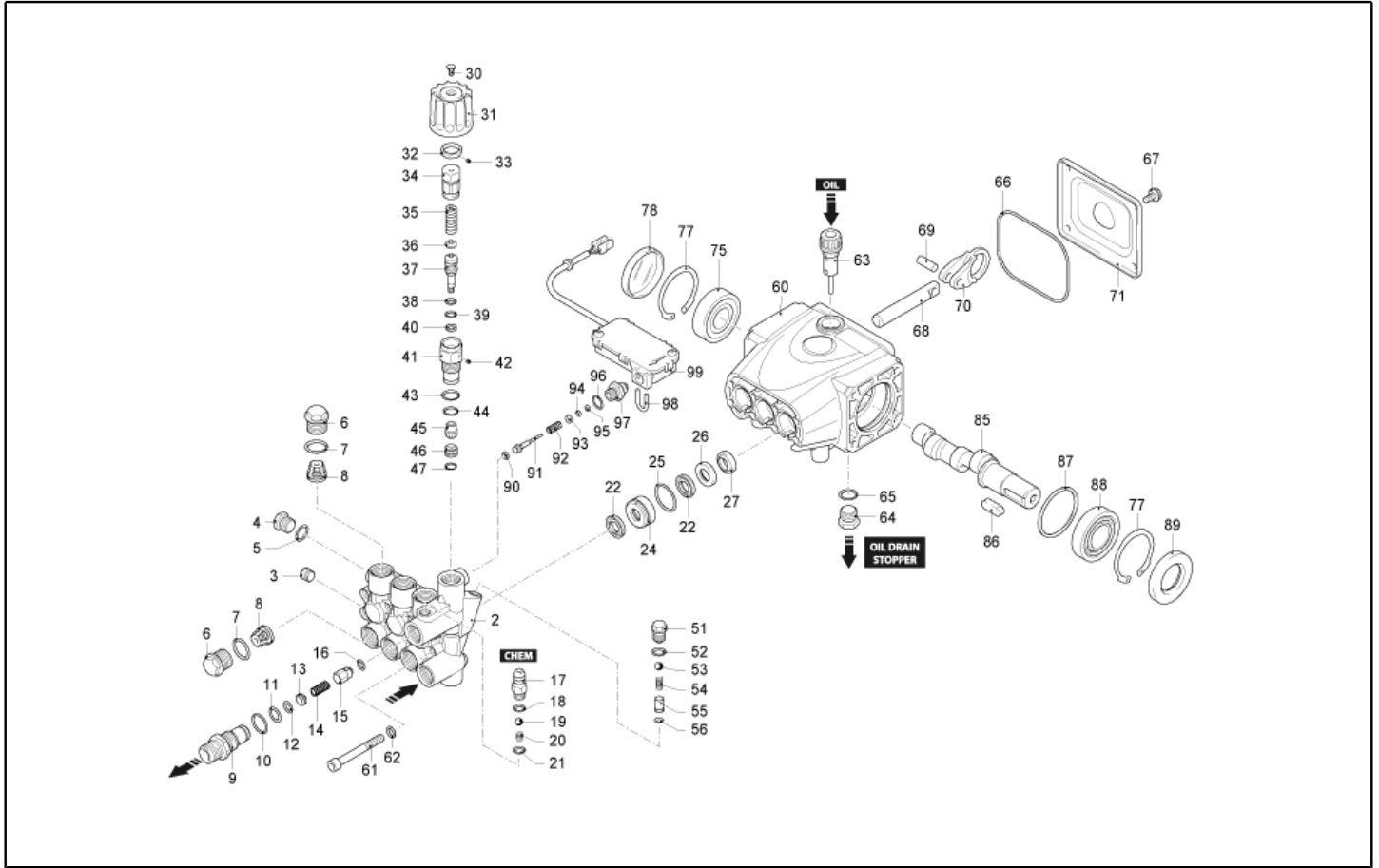


Ref. Part n.	Part n. 2	Description	Reference	Price
KTRI40650		KIT P 26- 38 SWIVEL G4000	0014 0016 0017	--
KTRI40651		KIT P 26- 39 G 4000	0002 0003 0004 0005 0006 0007 0008 0009	--

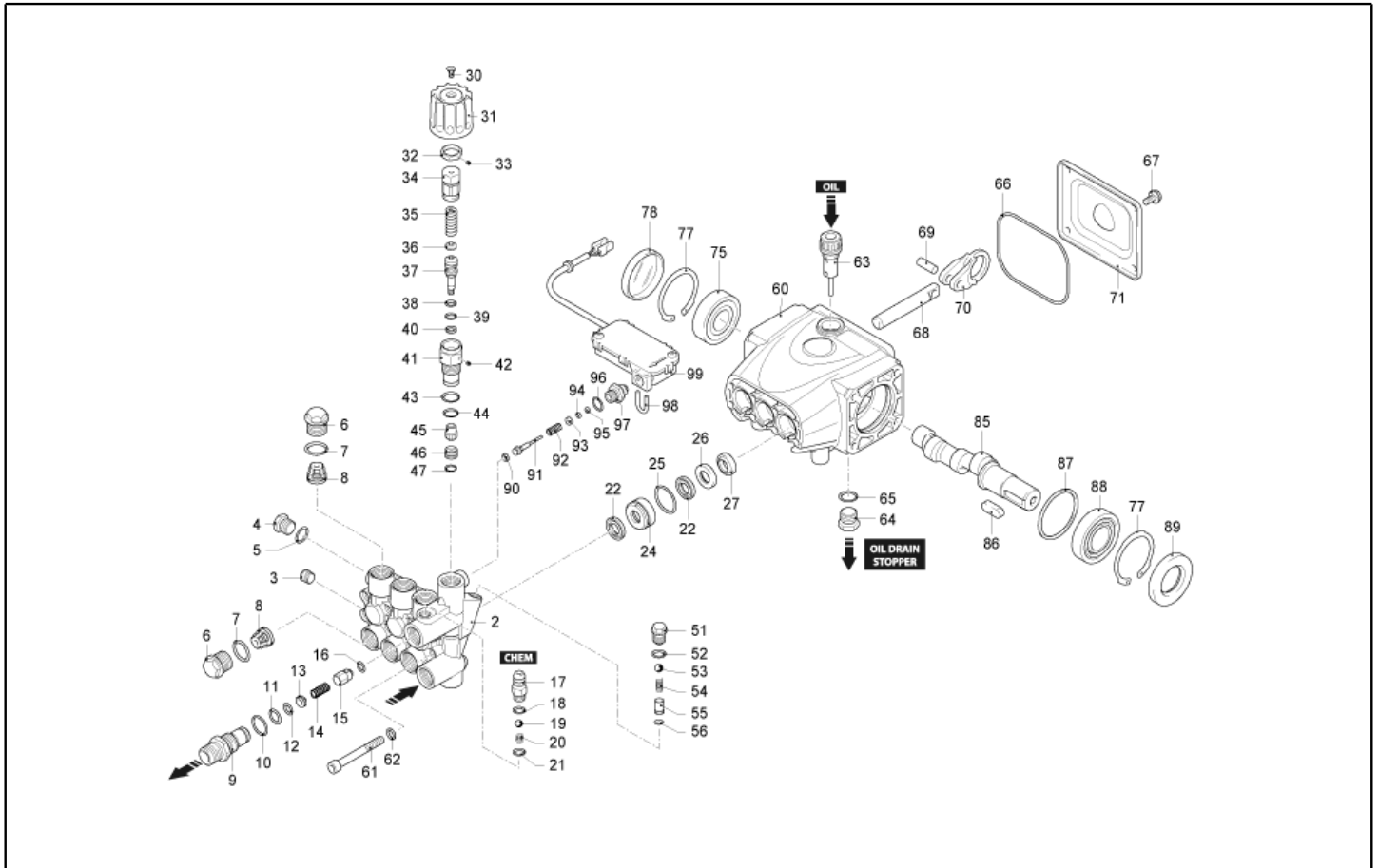




Ref. K	Part n.	Part n. 2	Description	Quantity	Validity		Price
					From	To	
0002	MFVR40129		HEAD AR JRS OT.	1,00			--
0003	PVVR40256		CAP 1/4 VRC-BM	1,00			--
0004	PVVR40654		CAP AR JRS	1,00			--
0005	GUGO19260		O-RING D. 8 X 1 NBR 70SH	1,00			--
0006	PVVR40087		CAP AR HRM	6,00			--
0007	GUGO40132		O-RING D. 13.5 X 1.8 -NBR 70SH	6,00			--
0008	S VVAM40001		VALVE UNIT HRM	6,00			--
0009	PVVR40254		INJECTOR DETERG. VRC-BM	1,00			--
0010	GUGO11652		O-RING D. 12.42 X 1.78 NBR 70SH	1,00			--
0011	GUGO40133		O-RING D. 12 X 1 NBR 70SH	1,00			--
0012	GUGO41692		O-RING D. 9 X 1 NBR 70SH	1,00			--
0013	PVVR40674		INSERT INIETT. VRC-BM D.1.7	1,00			--
0014	PVVR40252		SPRING VRC-BM	1,00			--
0015	PVVR40655		COUPLING AR JRS	1,00			--
0016	GUGO12494		O-RING D. 4 X 2.5 -NBR 70SH	1,00			--
0017	PVVR40656		HOSE FITTING VALVOLA JRS D.8	1,00			--
0018	GUGO08071		O-RING D. 4.48 X 1.78 NBR 70SH	1,00			--
0019	SFVR04274		BALL D. 7/32	1,00			--
0020	MLML40008		SPRING D. 4	1,00			--
0021	GUGO19260		O-RING D. 8 X 1 NBR 70SH	1,00			--
0022	S GUVR40030		PACKING D. 12 HRM	6,00			--
0024	PVVR40088		PACKING RETAIN. D. 12 HRM	3,00			--
0025	S GUGO63436		O-RING D. 21.95 X 1.78 -NBR 70SH	3,00			--
0026	PVVR40657		PACKING RETAIN. D. 12 JRS	3,00			--
0027	S GUGO40010		OIL SEAL D. 12 HRM	3,00			--
0030	VTVT00081		SCREW M 4 X 8 TSPEI ZB UNI 5933	1,00			--
0031	PVVR40658		KNOB JRS	1,00			--
0032	PVVR40659		RING NUT M16X1 JRS	1,00			--
0033	VTVT40019		SCREW M 3X 5 EI-ST UNI 5923	1,00			--
0034	PVVR40660		CAP JRS M16X1	1,00			--
0035	PVVR40419		SPRING VALVOLA VRZ	1,00			--
0036	PVVR40067		SPRING PLATE AR XJS	1,00			--
0037	PVVR40662		SMALL PISTON AR JRS	1,00			--
0038	GUGO24916		O-RING D. 6.02 X 2.62 NBR 90SH	1,00			--
0039	GUGO12489		O-RING D. 6.07 X 1.78 NBR 70SH	1,00			--
0040	GUVR40147		ANTI-EXTR.RING D. 6	1,00			--
0041	PVVR40662		SMALL PISTON AR JRS	1,00			--
0042	VTVT24918		SCREW EI-ST 4X 4 UNI5927	1,00			--
0043	GUGO09720		O-RING D. 14 X 1.78 NBR 70SH	1,00			--
0044	GUGO01036		O-RING D. 10.82 X 1.78 NBR 70SH	1,00			--
0045	PVVR40663		CONNECTOR JRS	1,00			--
0046	PVVR40665		VALVE SEAT AR JRS	1,00			--
0047	GUGO41692		O-RING D. 9 X 1 NBR 70SH	1,00			--
0051	PVVR40666		CAP M 6 E.START JRS	1,00			--



Ref. K	Part n.	Part n. 2	Description	Quantity	Validity		Price
					From	To	
0052	GUGO93823		O-RING D. 6 X 1.5 NBR 70SH	1,00			--
0053	SFVR40173		BALL D. 3/16" AISI 420	1,00			--
0054	MLML40057		SPRING D. 4 E-START	1,00			--
0055	PVVR40667		BALL SEAT D. 4 E-START JRS	1,00			--
0056	GUGO02255		O-RING D. 4 X 1 -NBR 70SH	1,00			--
0060	MFVR40130		PUMP CRANKCASE AR JRS	1,00			--
0061	VTVT00080		SCREW TCEI M 5X40 ZB UNI 5931	8,00			--
0062	VTRS00502		WASHER D. 5 0.466 UNI 6592	8,00			--
0063	PVVR40668		OIL CAP AR JRS	1,00			--
0064	RCVR40246		OIL CAP M 8 JRS	1,00			--
0065	GUGO19260		O-RING D. 8 X 1 NBR 70SH	1,00			--
0067	VTVT62919		SCREW TE M 5X8 U.5739-8.8 ZC	4,00			--
0068	S PIVR40031		PISTON D.12 JRS	3,00			--
0069	PVVR40669		GUDGEON D. 9 JRS	3,00			--
0070	BLVR40017		CONNECTING ROD JRS	3,00			--
0071	MFVR40131		CRANKCASE COVER AR JRS	1,00			--
0075	CUVR40032		BALL BEARING JRS	1,00			--
0077	VTAE09518		CIRCLIP D. 47 UNI 7437	2,00			--
0078	S PVVR40670		CRANKCASE COVER AR JRS LT.	1,00			--
0085	ALMO40063		SHAFT AR JRS 8LT VRS. N	1,00			--
0086	VTVR40080		KEY AR JRS	1,00			--
0087	PVVR40671		RING D. 47.0 JRS	1,00			--
0088	CUVR40033		BALL BEARING JRS	1,00			--
0089	S GUVR40148		OIL SEAL JRS	1,00			--
0090	GUGO01062		O-RING D. 3.69 X 1.78 NBR 70SH	1,00			--
0091	PVVR40672		CONTOL ROD AR TSS JRS	1,00			--
0092	PVVR40429		SPRING VALVOLA VRZ	1,00			--
0093	PVVR40430		WASHER VALVOLA VRZ	1,00			--
0094	GUGO40045		O-RING D. 1.78 X 1.78 NBR 70SH	1,00			--
0095	GUVR40086		ANTI-EXTR.RING D. 4.9X 2 X1,3	1,00			--
0096	GUGO06988		O-RING D. 7.66 X 1.78 NBR 70SH	1,00			--
0097	PVVR40673		CONNECTOR TSS JRS	1,00			--
0098	LAFN40212		PLUG "U" AR TSS	1,00			--
0099	MEPF40038		PRESSURE SWITCH AR TSS 230V HPV	1,00			--



Ref. Part n.	Part n. 2	Description	Reference	Price
KTRI40680		KIT P 15-43478 JRS	0008	--
KTRI40681		KIT P 15-43479 JRS	0068	--
KTRI40682		KIT P 15-43480 JRS	0027 0078 0089	--
KTRI40683		KIT P 15-43481 JRS D.12	0022 0025	--